

second SKIN



WOW

secondSKIN



WOW

WOW

Check out our **Second Skin!**

Classy dressing for any wall no matter its nature.

Porcelain skin that allows us to see through, respectful with light and durable for any use.



WOW art in two shapes

Isos: Geometric trapezoid shape.

Petal: Organic leaf shape complemented with a triangular porcelain wall tile.

Big Sizes & Second Skin

The perfect mix.

Architectural feature with design & dimension, apt to install over any surface, in any size... Over ceramic, concrete, glass, interior installation as well as exterior.

The ideal solution to decorate paving stones and slabs in big sizes.

DIY

Easy, fast, and clean to do it yourself!
You don't need difficult tools, only your imagination and a specific adhesive.



08
PETAL
 2"X9" | 5,5X23 cm

16
TRIANGLE
 8"X9" | 20X23 cm

20
ISOS
 4,5"X11" | 12X27,5 cm

28
technical

PETAL

2"X9" | 5,5X23 cm



Organic and alive looking as harmonious parts of a whole, inspired by nature, foliage and greenery.

AVAILABLE COLOURS



Ice White Matt



Graphite Matt









TRIANGLE

8"X9" | 20X23 cm



Perfect complement for PETAL, if you look for a seamless layout, by setting the petals following the tiles triangular shape.

Being water & frost proof, they can be placed in or out.

AVAILABLE COLOURS



Ice White Matt



Ash Grey Matt



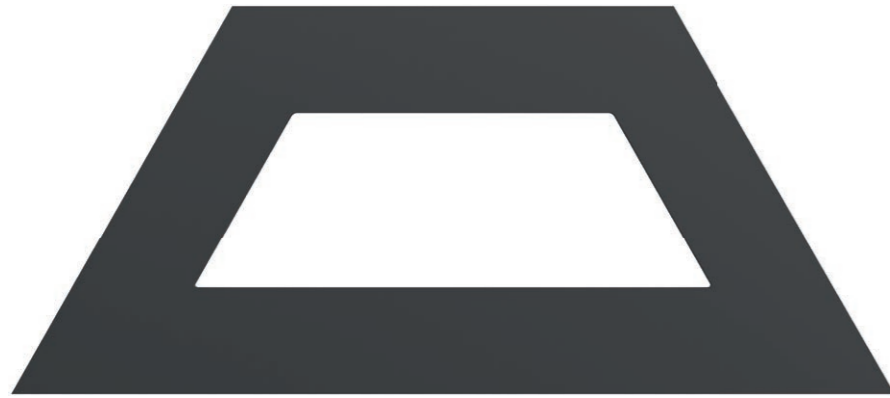
Graphite Matt





ISOS

4,5"X11" | 12X27,5 cm



ISOS is a geometric trapezoid shape.
Open framework to see through, allowing
the light in.

Make a feature breathing your walls through!

AVAILABLE COLOURS



Ice White Matt



Graphite Matt

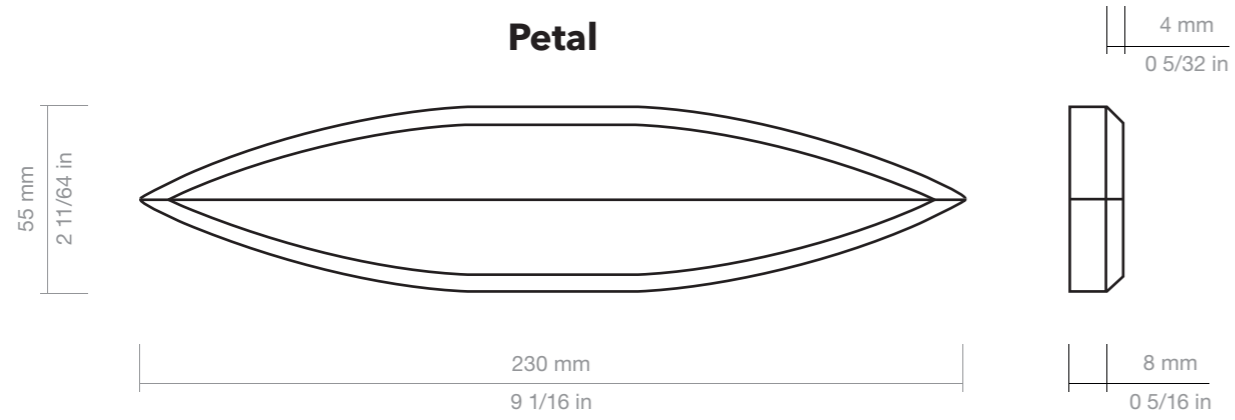




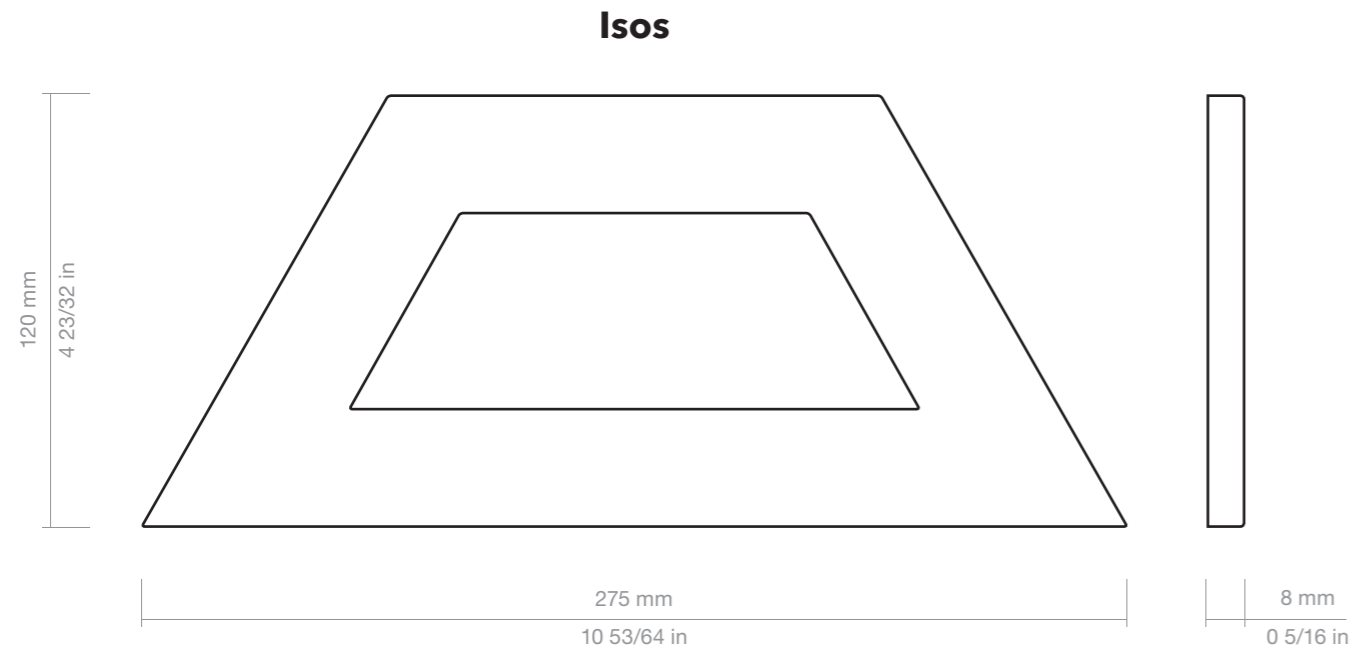




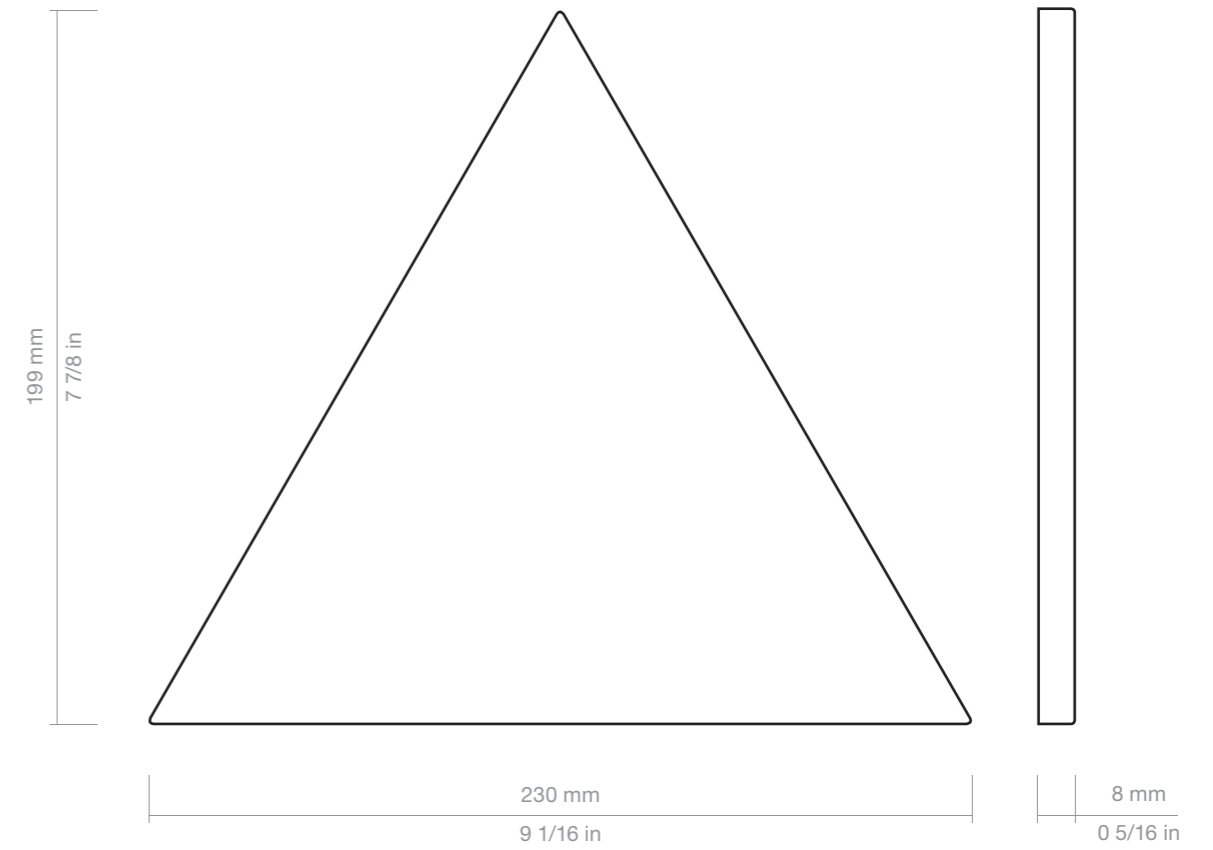
Petal



Isos



Triangle Floor



PRODUCT STORING

Please keep the product in its original packaging until the time of fixing ,suitably covered.

TILE FIXING

The surface where to install the pieces must be clean and level.

It is recommended that the layout of the product is prepared before its final installation. Reproducing desired pattern in the floor is of great help.

To ensure the correct product adhesion to the surface, it is essential to use specific waterproof adhesive, apt for the purpose and follow the manufacturer instructions. It must be suitable for the environment it will have to withstand.

There are several brands in the market such as "Pattex no more nails waterproof" or "Henkel no more nails waterproof" (further options will be displayed in our web page).

Second Skin does not need to be grouted.

MAINTENANCE

Once the material has been fitted, it is advisable to remove any remaining adhesive, as recommended by its manufacturer.

To clean the product, as a general guideline, a sponge with warm water and neutral soap is sufficient, then rinse with plenty of clean water.

Avoid abrasive and acidic cleaning products.

Packing

Modelo / Formato Model / Format	Piezas / Caja Pieces / Box	M2 FT2		KG LB		Cajas / Palet Boxes / Pallet	M2 FT2	
		m2 / Caja	sq ft / Box	Kg / Caja	Lb/ box		m2 / Palet	sq ft / Pallet
PETAL	15	0,149	1,604	3,436	7,575	96	14,304	153,984
ISOS	10	0,249	2,680	3,494	7,703	96	23,904	257,280
TRIANGLE	10	0,233	2,508	4,667	10,289	120	27,960	300,960

TECHNICAL FEATURES FOR DRY-PRESSED CERAMIC TILES WITH WATER ABSORPTION B Ia (≤ 0,5 %) CARACTERÍSTICAS TÉCNICAS PARA LAS BALDOSAS CERÁMICAS PRENSADAS EN SECO CON ABSORCIÓN DE AGUA B Ia(≤ 0,5 %)			
FEATURES / CARACTERÍSTICAS	SPECIFICATION / ESPECIFICACIÓN	NORMA	
Dimensional Features	Triangle (W 200 +/- 0,6 mm x 230 +/- 0,6 mm x h. 8,5 +/- 0,6 mm) GL Petal (W 55 +/- 0,6 mm x 230 +/- 0,6 mm x h. 12 +/- 0,6 mm) GL Isos (W 120 +/- 0,6 mm x 275 +/- 0,6 mm x h. 8 +/- 0,6 mm) GL	UNE-EN ISO 10545-2:1998	
Water absorption	≤ 0,5%	UNE-EN ISO 10545-3:1997	
Modulus of rupture and breaking strength	Minimum 35 N/mm2 Individual Minimum 32 N/mm2	UNE-EN ISO 10545-4:2012	
Crazing resistance	Pass	UNE-EN ISO 10545-11:1997	
Household products resistance	GA	UNE-EN ISO 10545-13:1998	
Chemical resistance	GLA	UNE-EN ISO 10545-13:1998	
Stain resistance	>3	UNE-EN ISO 10545-14:1998	
Frost resistance	Pass	UNE-EN ISO 10545-12:1997	

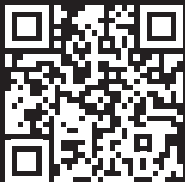
Designed by



Polígono Pont, Avda. de España 114
12180 Cabanes,
Castellón (Spain)
t. +34 964 331 910 / f. +34 964 331 911

wowdesigneu.com

info@wowdesigneu.com
comercial@wowdesigneu.com



©2017 Tendencias Cerámicas
WOW, registered trademark of Tendencias Cerámicas, S.L.

The brand use or reproduction of the contents of this catalog, is protected by copyright law. Any use of the brand or reproduction thereof, in part or total, must be authorized by Tendencias Cerámicas, S.L. Otherwise, this action can be sanctioned according to the Law.

©2017 Tendencias Cerámicas
WOW, marca registrada por Tendencias Cerámicas, S.L.

La utilización de la marca o la reproducción del contenido de este catálogo está protegida por la Ley de Propiedad Intelectual. Cualquier uso de la marca o la reproducción del mismo, en parte o en su totalidad, debe ser autorizada por Tendencias Cerámicas, S.L., pudiendo, en caso contrario, ser esta acción sancionada de acuerdo con la Ley.

WOW reserves the right to modify and/or discontinue certain models displayed in this catalogue.
The colour of the pieces displayed herein may differ slightly from originals.
The settings shown in this catalogue are design proposals for advertising purposes.
In real situations in which the pieces are laid, the installation instructions published by WOW should be followed.

WOW se reserva el derecho de modificar y/o suprimir ciertos modelos expuestos en este catálogo sin previo aviso.
Los colores de las piezas pueden presentar ligeras diferencias respecto a las originales.
Los ambientes que se muestran en este catálogo son sugerencias decorativas de carácter publicitario,
debiéndose utilizar en la instalación real las instrucciones de colocación editadas por WOW.

second SKIN

Designed by



wowdesigneu.com